



LOAD CHARTS

for Use With

WRITTEN EXAMINATIONS



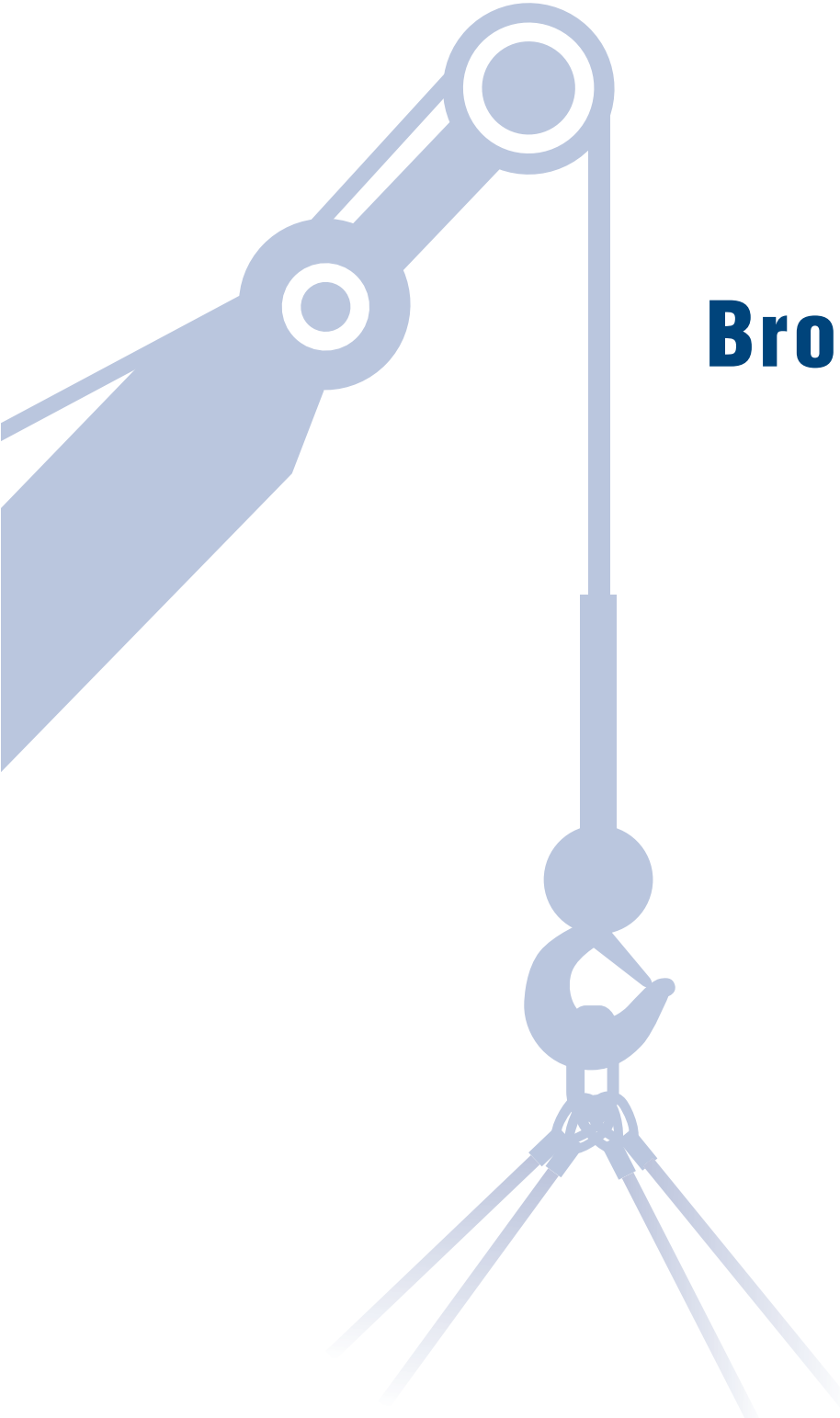
Broderson IC-80

Broderson Manufacturing Corp., by providing pages of one of its manuals, is not providing a substitute for training on a Broderson crane.

These pages are reproduced for illustration only and not as a substitute for reviewing the entire manual for a particular crane.

Make sure that you are fully trained on, and review the entire manual for, every crane you operate.

This load chart has been adapted from the original manufacturer's load chart for use in the NCCER Mobile Crane Certification Examination. It is not to be used for calculating loads, planning lifts, or for any other purpose.



**Four-Wheel Steering
to access those
hard to reach places**



- Rated Capacity Limiter ... Standard
- Capacity on Outriggers ... 18,000 lbs.
- Pick and Carry Capacity ... up to 11,700 lbs.
- Height ... 7' 3"
- Width ... 6' 6"
- Boom Rotation ... 360 Degree, Continuous
- Sheave Height ... up to 46'
- Horizontal Reach ... up to 40'
- Tight Turning Radius
- 4-Wheel Steer ... Standard
- 4-Wheel Drive ... Optional
- Powershift Transmission ... Standard
- Fully Hydraulic Controls for Smooth Precise Operation
- Independent Outrigger Controls
- Dual Fuel Standard, Diesel Optional

BMC[®] BRODERSON[®]
Manufacturing Corp.

P.O. Box 14770, Lenexa, KS 66285-4770
(913) 888-0606 · Fax (913) 888-8431
www.bmccranes.com

IC-80-1G

CAPACITIES APPLY TO OPERATION ON FIRM LEVEL SURFACE

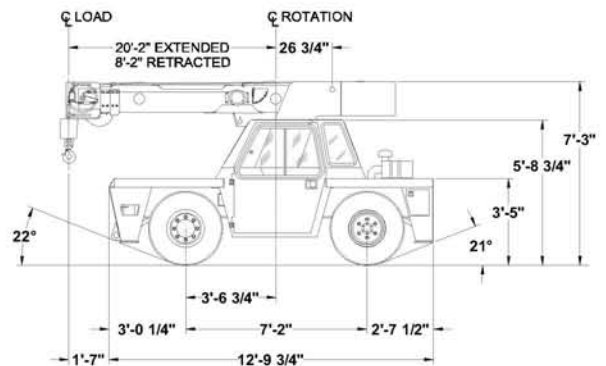
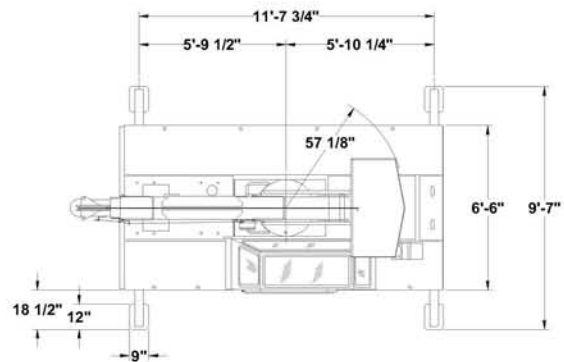
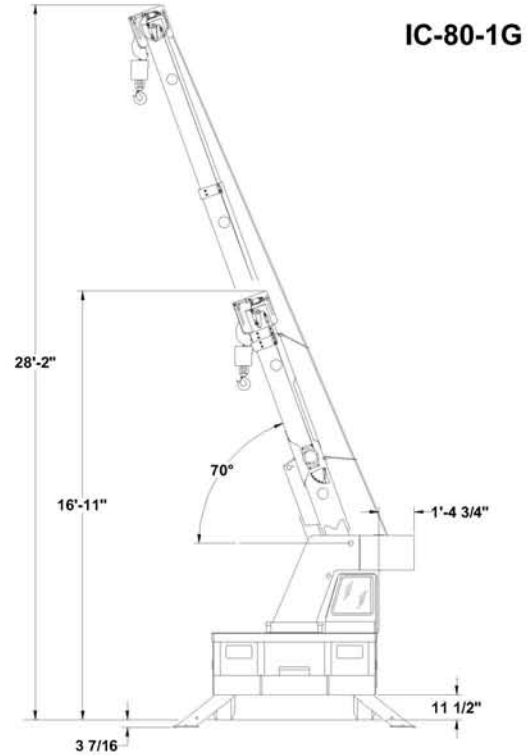
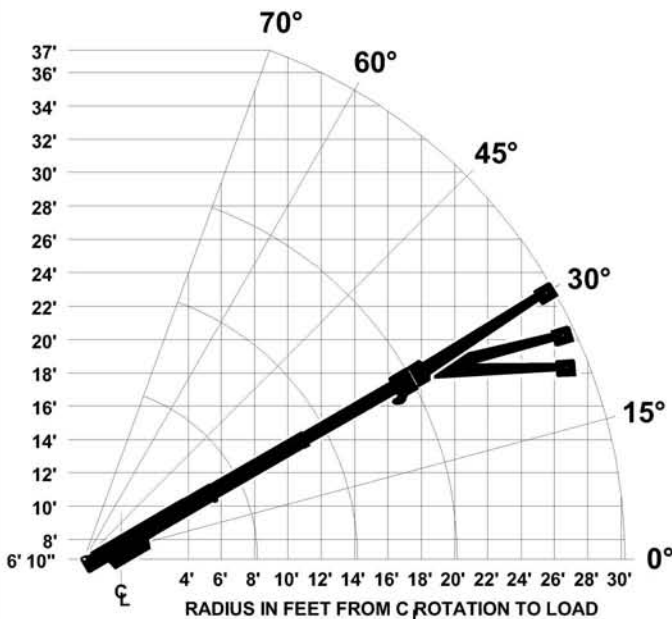
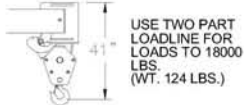
LOAD RADIUS FEET	MAIN BOOM OR EXTENSION CAPACITIES IN POUNDS				
	360° ROTATION		OVER FRONT		
	ON RUBBER	ON OUTRIGGERS	ON RUBBER	ON OUTRIGGERS	
5	9600	17000	11700	18000	
6	7900	14500	10400	14500	
8	5750	10250	8400	10250	
10	4150	7700	6300	7700	
12	3100	6550	4650	6550	
14	2425	5550	3750	5550	
16	2000	4650	3100	4650	
18	1700	4100	2650	4150	
20	1450	3550	2300	3800	
22	1275	3200	2000	3000	
24	1075	2800	1725	2800	
26	925	2500	1500	2600	
28	775	2200	1300	2400	
30	675	2000	1150	2250	
10-FOOT BOOM EXTENSION - STRAIGHT OR OFFSET					
MAIN BOOM ANGLE					
ANGLE	0°	30°	45°	60°	70°
* 0°	2250	2600	3200	5000	7000
15°	---	2400	2700	3500	4200
30°	---	2250	2500	3000	3300

* USE 0° FOR STRAIGHT BOOM EXTENSION.

† USE 0°, 15° OR 30° FOR OFFSET BOOM EXTENSION.

CAUTION BOOM EXTENSION LOADS MUST NOT EXCEED MAIN BOOM CAPACITY. DO NOT PICK & CARRY WITH LOADS ON BOOM EXTENSION.

CAPACITIES ON OUTRIGGERS ARE 85% OF TIPPING LOADS. CAPACITIES ON RUBBER ARE 75% OF TIPPING LOADS. CAPACITIES BELOW BOLD LINE ARE LIMITED BY TIPPING. OTHER CAPACITIES ARE LIMITED BY STRUCTURAL OR HYDRAULIC CAPABILITY.



ITEM NO.	
	<p>Boom Attachments: Cont'd</p> <p><u>Sheave Block and Downhaul Weight:</u> A 124 pound sheave block is provided for two-part line requirements. Block is shorter than normal, 21½" from top to saddle of load hook. 10" O.D. sheave for 9/16" rope. Has swivel hook with safety latch. A 90 pound downhaul weight and swivel hook are also provided for single-part line.</p> <p>Optional Boom Attachments:</p> <p>53. <u>Boom Extension - 10 Ft.; (BE-13)</u> Provides 10 feet of additional length for lifting loads with load line. Boom extension may be stowed alongside base boom section when not in use. Tip sheave, attaching brackets and pins included. Deduct 100 pounds from Capacity Chart when boom extension is in the stowed position. Includes switch for Anti-Two-Block. (Net Weight: 295 pounds)</p> <p>54. <u>Boom Extension - 10 Ft. Offset; (BE-18)</u> Same as BE-13 except has three settings: 0 degrees (in-line), 15 degree offset and 30 degree offset. (Net Weight: 340 pounds)</p> <p>55. <u>Searcher Hook - Link Under Tip; (SH-1)</u> 5,000 pound capacity. Swivel hook with spring latch hangs from link on 2-part line lug under boom tip. (Net Weight: 16 pounds)</p> <p>56. <u>Searcher Hook - Nose Mount; (SH-4)</u> 5,000 pound capacity. Swivel hook with spring latch hangs from support structure projecting outward from boom tip. (Net Weight: 41 pounds)</p> <p>57. <u>Load Moment Indicator - Krueger or PAT; (LMI)</u> Warns operator of impending overload with audible and visual signals. Prevents overload by stopping boom functions that cause overload. Readouts for load, boom angle, boom length and load radius. Includes sensors and special electrical slip rings. (Net Weight: 50 pounds)</p> <p>58. <u>Load Indicator - Krueger, PAT or Greer; (LI)</u> Three-sheave load sensor on top of boom. Special electrical collector rings in turntable. Readout box on top of instrument panel shows load for 1-part and 2-part lines. (Net Weight: 50 pounds)</p> <p style="text-align: center;">Specifications subject to change without notice</p>

Form #CD195E